

AODA® 专业数字功放模块
PROFESSIONAL DIGITAL AMPLIFIER MODULE

专业音响制造商
OEM & ODM MANUFACTURER

CLASS D DIGITAL POWER AMPLIFIER MODULE

P500B



Instrument input



Equilibrium adjustment



Sound source input



Microphone



BLUETOOTH access



Volume adjustment

Maximum output power:	2000W
Frequency response:	20Hz-20KHz ($\pm 0.5\text{dB}$)
Intermodulation distortion:	< 0.05%
Total harmonic distortion:	< 0.05%
Protection type:	DC, short circuit, overheat, input and output overload, soft start, over-voltage and under-voltage protection
Cooling mode:	fan cooling, air convection
DSP part:	processor 96KHz signal sampling frequency, 24bit quantization accuracy
Music style:	adjustable through the back panel knob
Frequency division point:	controlled by DSP
Input and output part:	
Signal input:	1 \times XLR receptacle input (6.35 TRS), 1 \times 6.35 TRS, 1 \times RCA input, 1 \times wireless Bluetooth
Signal output:	1 \times XLR mixed output
AC power input:	ICE C14 connector
Working voltage:	100v-130v // 60Hz or 220v-240v // 50Hz

恩平市奥达电子科技有限公司
ENPING AODA ELECTRONIC TECHNOLOGY CO., LTD.

地址: 广东省恩平市平石工业区飞鹅东路16号奥达科技园

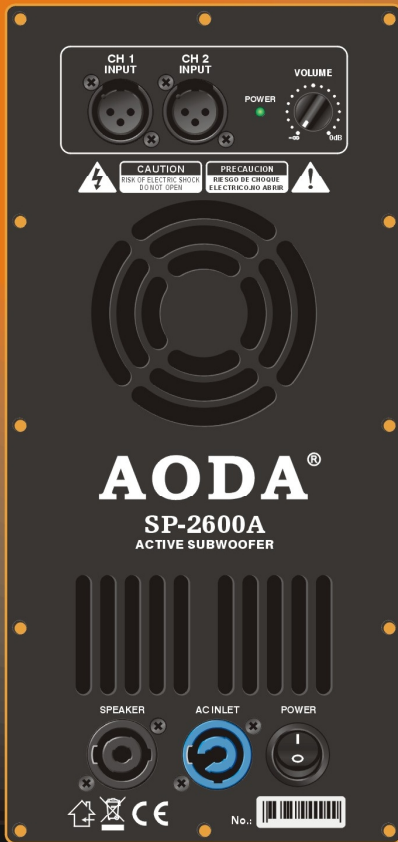
ADD: Aoda Technology Zone, No. 16, Feie East Road, Pingshi Industrial Area, Enping City, Guangdong, China.

Tel: (86) 750-7122773 (20 Lines)
Fax: (86) 750-7122202
E-mail: Aoda@AodaPro.com
http://www.AodaPro.com



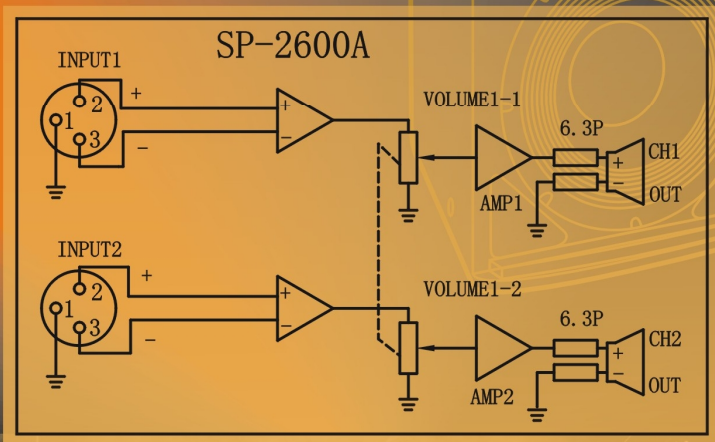
AODA® 专业数字功放模块
PROFESSIONAL DIGITAL AMPLIFIER MODULE

专业音响制造商
OEM & ODM MANUFACTURER



SP 系列开关电源数字功放模块

SP series Switching Power Supply Digital Power Amplifier Module



Technical Specifications :

Model 型号	SP-2400A	SP-2600A	SP-2800A
Out Power 输出功率(4Ω)	400W x 2	600W x 2	800W x 2
Out Power 输出功率(8Ω)	250W x 2	400W x 2	500W x 2
Output Circuit Type 线路类型	Class D	Class D	Class D
Input Impedance 输入阻抗		10KΩ	
THD 总谐波失真		0.1%	
Slew Rate 转换速度		40V/usec	
Hum and Noise 信噪比		103dB	
Damp Modulus 阻尼系数(8Ω)		>400	
Radiator 散热方式		High/Low Automatism Control	
Sateguard 保护方式	DC Safeguard/out Overloading/Chancroid Sgartup/Boot-Strap Short Test		
Weight 重量(kg)	1.8 kg	2.0 kg	2.7 kg
Dimension 尺寸 (mm)	283 x 133 x 70.8 mm		313 x 156 x 70.8 mm
Power Range 电压	(115V/230V) Can offer different voltage according client's requirement. 可根据不同地区提供不同电压的产品		

恩平市奥达电子科技有限公司

ENPING AODA ELECTRONIC TECHNOLOGY CO., LTD.

地址: 广东省恩平市平石工业区飞鹅东路16号奥达科技园

ADD: Aoda Technology Zone, No. 16, Feie East Road, Pingshi Industrial Area, Enping City, Guangdong, China.

Tel: (86) 750-7122773 (20 Lines)

Fax: (86) 750-7122202

E-mail: Aoda@AodaPro.com

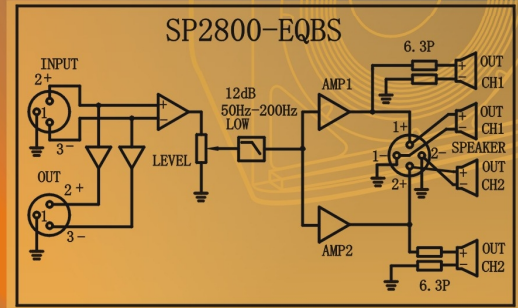
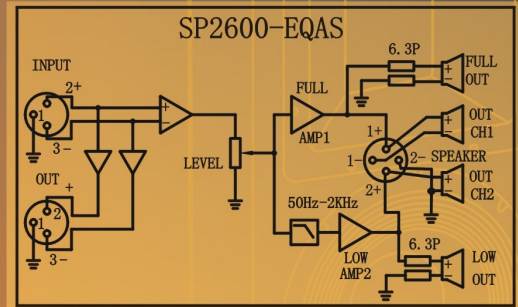
http://www.AodaPro.com



AODA® 专业数字功放模块
PROFESSIONAL DIGITAL AMPLIFIER MODULE

专业音响制造商
OEM & ODM MANUFACTURER

CLASS D DIGITAL POWER AMPLIFIER MODULE



Technical Specifications :

Model 型號	SP2600-EQAS	SP2600-EQBS	SP2800-EQAS	SP2800-EQBS
Out Power 輸出功率(4Ω)	600W x 2	600W x 2	800W x 2	800W x 2
Out Power 輸出功率(8Ω)	400W x 2	400W x 2	500W x 2	500W x 2
Crossover 分頻點	50Hz~2K Hz	50Hz~200Hz	50Hz~2K Hz	50Hz~200Hz
Output Circuit Type 綫路類型	Class D	Class D	Class D	Class D
Input Impedance 輸入阻抗	10KΩ			
THD 總諧波失真	0.1%			
Slew Rate 轉換速度	40V/usec			
Hum and Noise 信噪比	103dB			
Damp Modulus 阻尼系數(8Ω)	>400			
Radiator 散熱方式	High/Low Automatism Control			
Safeguard 保護方式	DC Safeguard/out Overloading/Chancroid Sgartup/Boot-Strap Short Test			
Weight 重量(kg)	2.2 kg	2.2 kg	2.6 kg	2.6 kg
Dimension 尺寸(mm)	313 x 133 x 71 mm		256 x 146 x 71 mm	
Power Range 電壓	(115V/230V) Can offer different voltage according client's requirement. 可根據不同地區提供不同電壓的產品			

恩平市奥达电子科技有限公司

ENPING AODA ELECTRONIC TECHNOLOGY CO., LTD.

地址: 广东省恩平市平石工业区飞鹅东路16号奥达科技园

ADD: Aoda Technology Zone, No. 16, Feie East Road, Pingshi Industrial Area, Enping City, Guangdong, China.

Tel: (86) 750-7122773 (20 Lines)

Fax: (86) 750-7122202

E-mail: Aoda@AodaPro.com

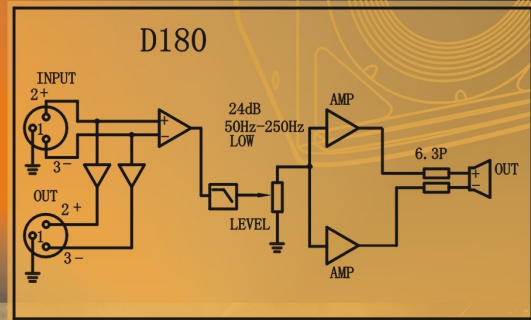
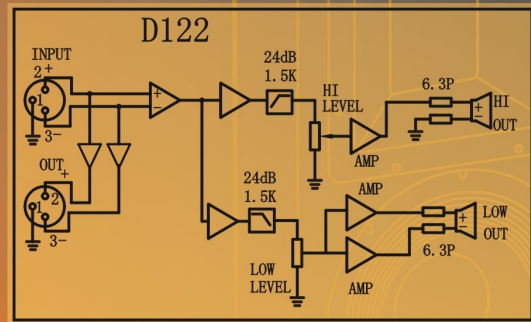
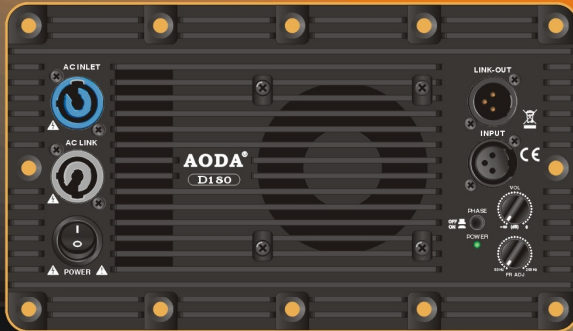
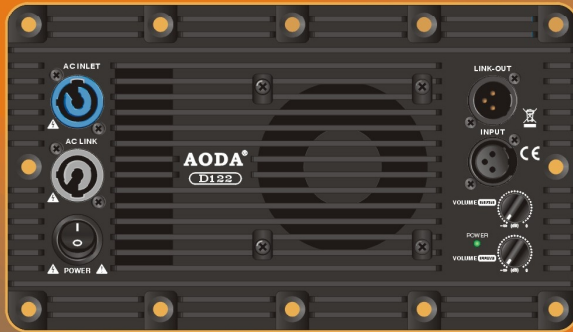
http://www.AodaPro.com



AODA® 专业数字功放模块
PROFESSIONAL DIGITAL AMPLIFIER MODULE

专业音响制造商
OEM & ODM MANUFACTURER

CLASS D DIGITAL POWER AMPLIFIER MODULE



Technical Specifications :

Model 型號	D820	D122	D180
Low Frequency Output Power 低音輸出 (4Ω)	800W	1200W	1800W
High Frequency Output Power 高音輸出 (8Ω)	200W	200W	—
Crossover 分頻點	1.8K Hz	1.5K Hz	50Hz ~ 250Hz
Output Circuit Type 綫路類型	Class D	Class D	Class D
Input Impedance 輸入阻抗		10KΩ	
THD 總諧波失真		0.1%	
Slew Rate 轉換速度		40V/usec	
Hum and Noise 信噪比		103dB	
Damp Modulus 阻尼系數 (8Ω)		>400	
Radiator 散熱方式		High/Low Automatism Control	
Sateguard 保護方式	DC Safeguard/out Overloading/Chancroid Sgartup/Boot-Strap Short Test		
Weight 重量(kg)	2.4 kg	2.4 kg	2.4 kg
Dimension 尺寸 (mm)	256 x 146 x 90 mm		
Power Range 電壓	(115V/230V) Can offer different voltage according client's requirement. 可根據不同地區提供不同電壓的產品		

恩平市奥达电子科技有限公司

ENPING AODA ELECTRONIC TECHNOLOGY CO., LTD.

地址: 广东省恩平市平石工业区飞鹅东路16号奥达科技园

ADD: Aoda Technology Zone, No. 16, Feie East Road, Pingshi Industrial Area, Enping City, Guangdong, China.

Tel: (86) 750-7122773 (20 Lines)

Fax: (86) 750-7122202

E-mail: Aoda@AodaPro.com

http://www.AodaPro.com

